

Xerox® Phaser® 3020 Service Manual



702P02829

June 2014

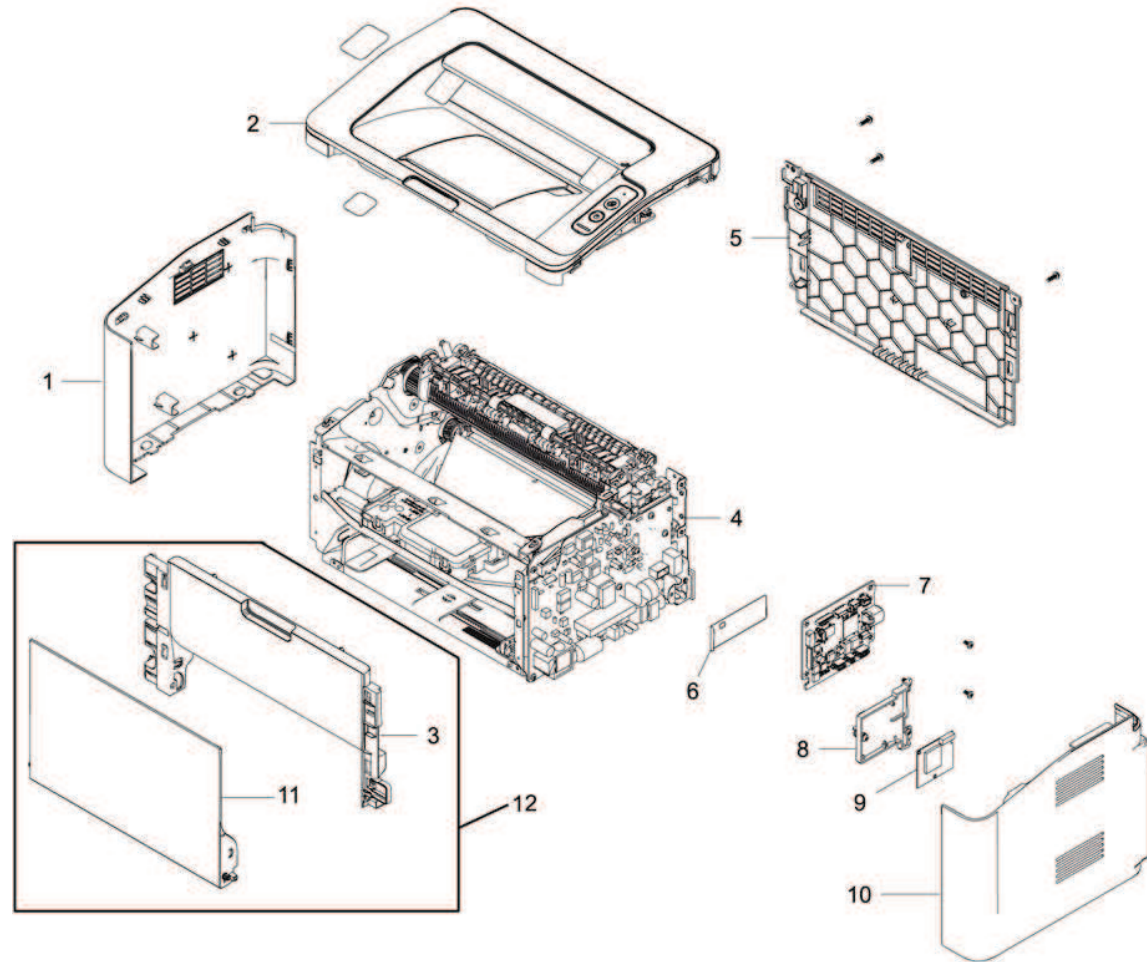
Initial Issue

5 Parts List

Main	
PL 1.1 Main	5-3
Top Cover	
PL 2.1 Top Cover	5-4
Frame	
PL 3.1 Frame	5-5
Fuser	
PL 3.2 Fuser.....	5-6
Paper Path Frame	
PL 3.3 Paper Path Frame	5-7
Main Left Frame	
PL 3.4 Main Left Frame.....	5-8
Main Frame Right	
PL 3.5 Main Frame Right	5-9
Middle And Bottom Frame	
PL 3.6 Paper Tray And LSU Frame	5-10
Feed Idle Frame	
PL 3.7 Paper Feed Assembly	5-11
Part Number Index	5-12

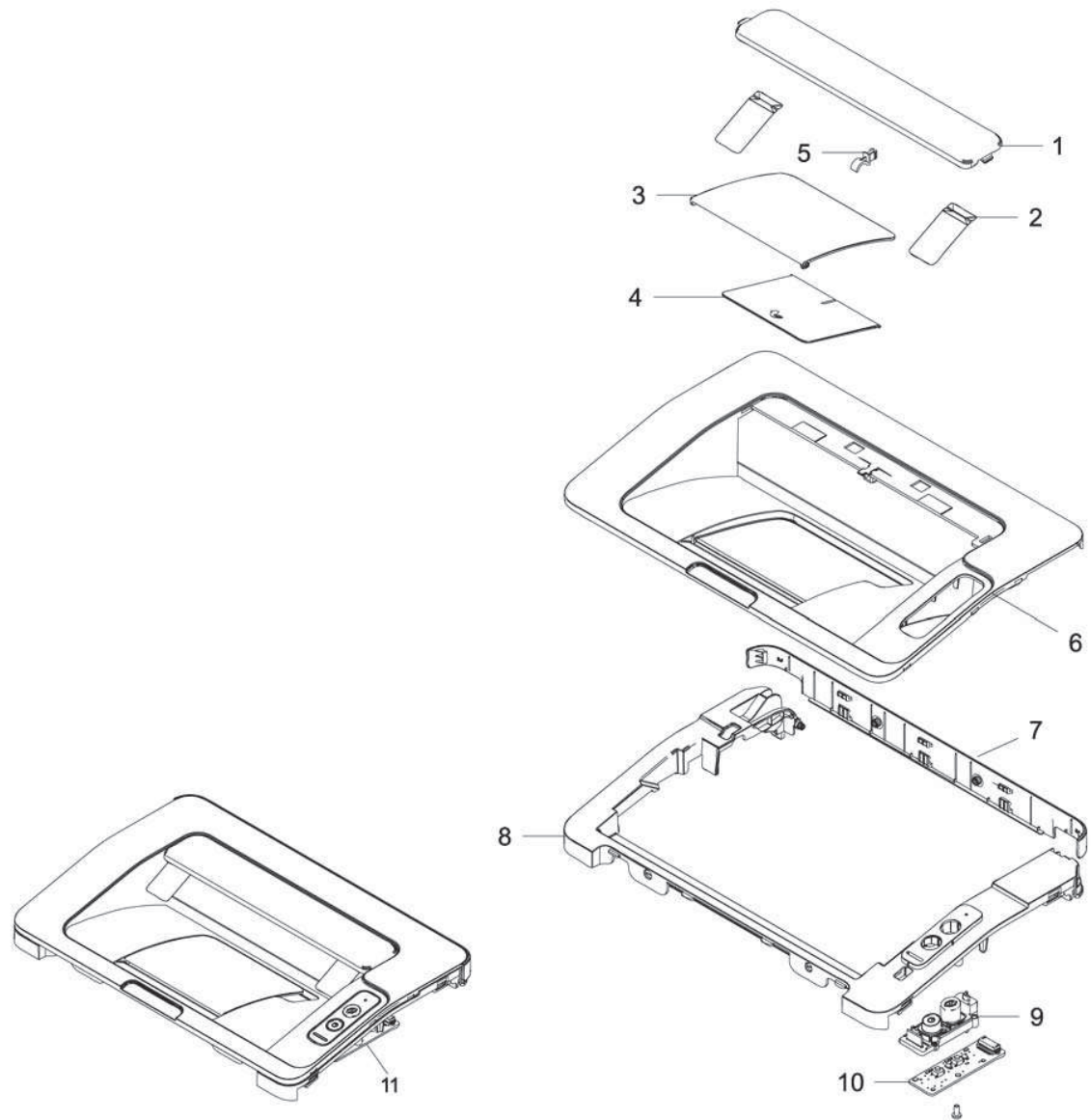
PL 1.1 Main

Item	Part	Description
1	002N03166	Left Cover (Black)
-	002N03165	Left Cover
2	-	Top Cover (PL 2.1)
3	002N03162	Front Cover (Black)
-	002N03161	Front Cover
4	-	Frame (PL3.1)
5	002N03170	Rear Cover
-	002N03171	Rear Cover (Black)
6	-	Main PWB Insulator
7	140N63720	Main PWB -3020 BI (DMO-E / Russia/Middle East/South Africa/ Argentina/Peru)
-	140N63721	Main PWB - 3020 BI (Chile)
-	140N63719	Main PWB -3020 BI (NA / DMO-W)
8	-	Wireless Cover
9	140N63727	WNPC (WIFI) PWB
10	002N03183	Right Cover
-	002N03184	Right Cover (Black)
11	002N03178	Paper Support
-	002N03179	Paper Support (Black)
12	-	Front Cover Assembly (Items 3, 11)



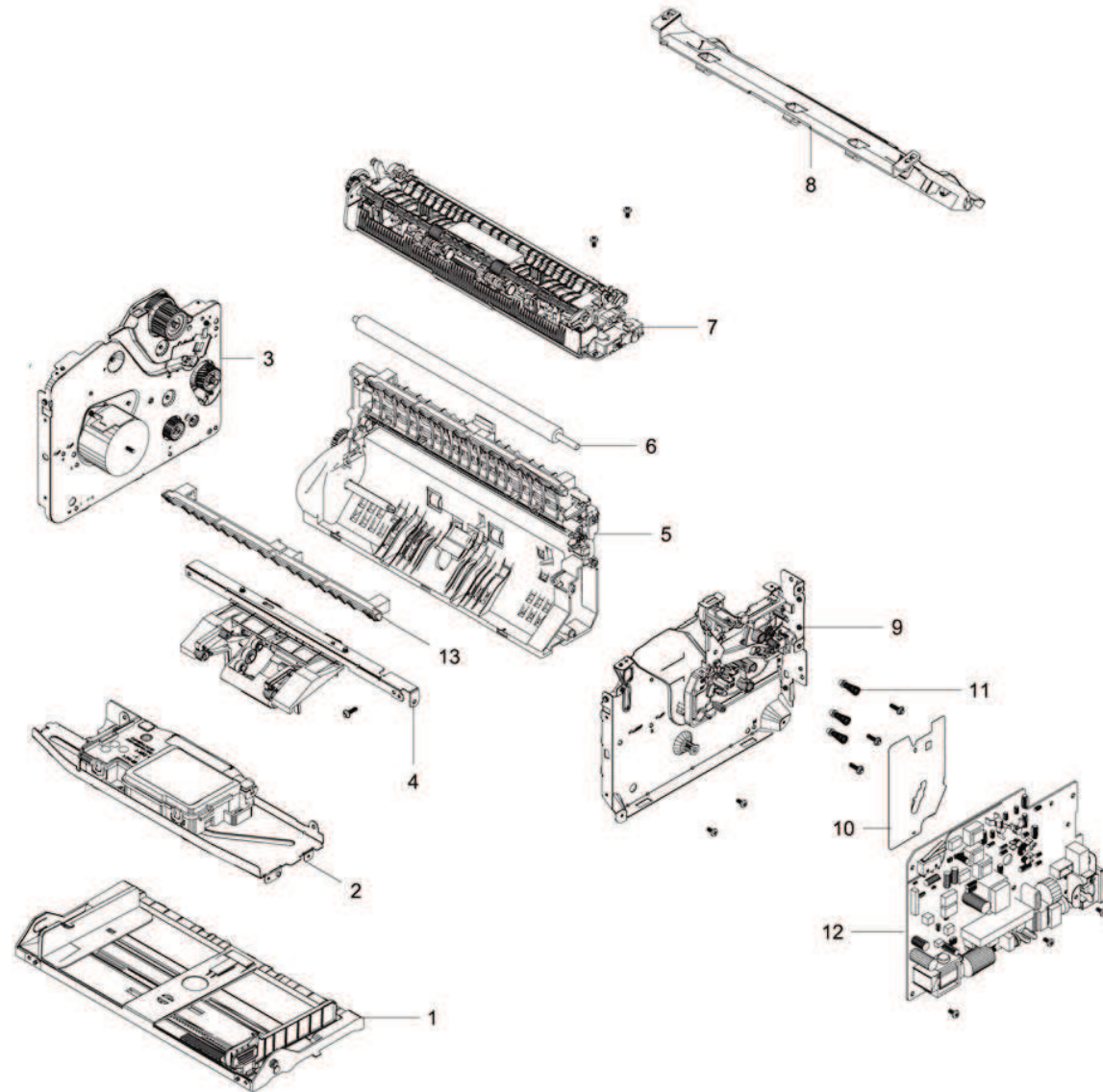
PL 2.1 Top Cover

Item	Part	Description
1	–	Dust Cover
2	–	Stacking Guides
3	–	Output Support
4	–	Inner Output Support
5	–	Shaft Holder
6	–	Jam Clearance Cover
7	–	Trim Strip
8	–	Top Cover
9	–	WPS Key
10	140N63725	Control Panel PWB
11	002N03159	Top Cover Assembly
–	002N03160	Top Cover Assembly (Black)



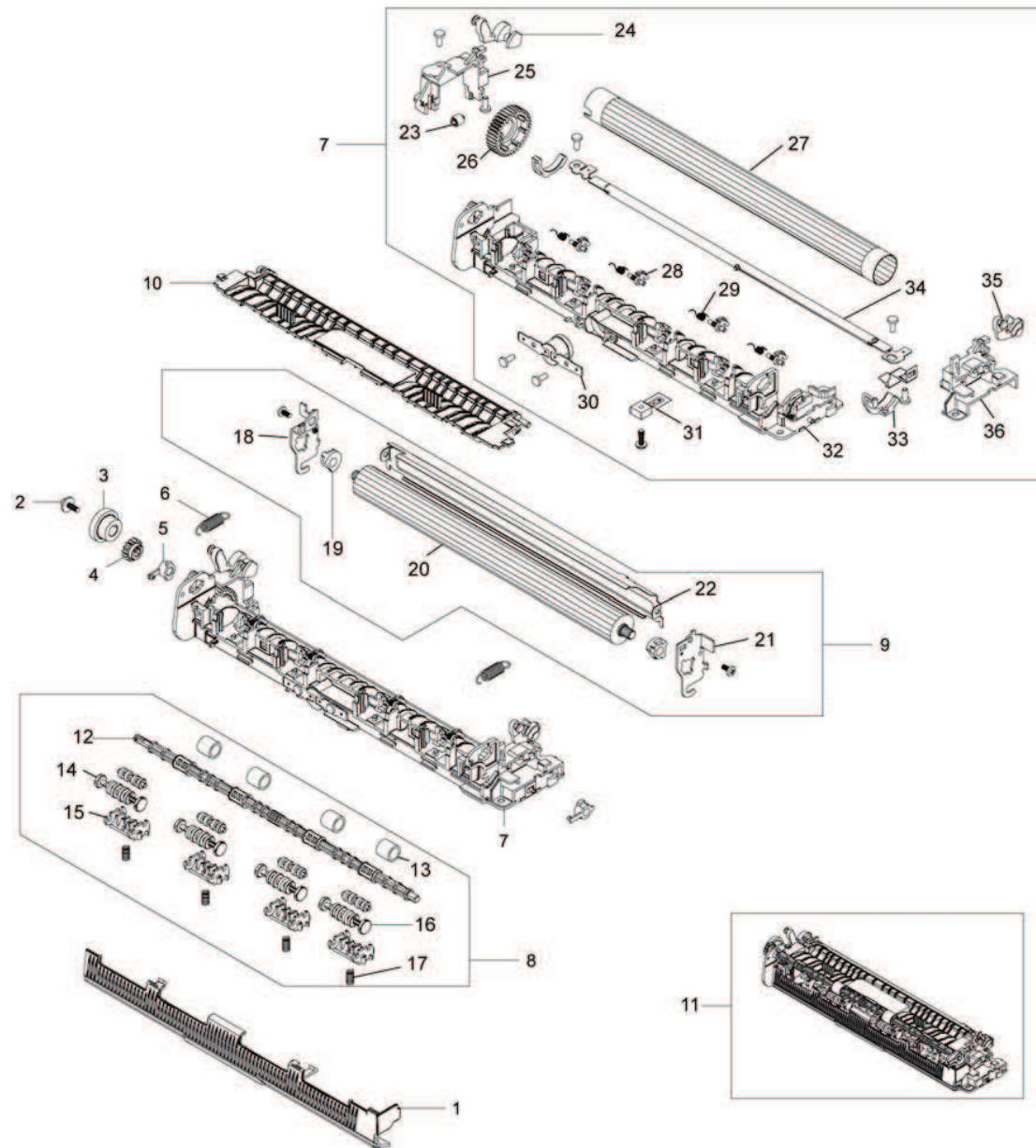
PL 3.1 Frame

Item	Part	Description
1	–	Paper Tray (PL 3.6)
2	–	LSU Frame (PL 3.6)
3	–	Main Frame Left (PL 3.4)
4	–	Paper Feed Assembly (PL 3.7)
5	–	Paper Path Frame (PL 3.3)
6	022N02794	Transfer Roller
7	–	Fuser Module (PL 3.2)
8	–	LSU Cover
9	–	Main Frame Right (PL 3.5)
10	–	HVPS Insulator
11	–	HVPS Contact
12	105N02303	LVPS/HVPS 220V
–	105N02302	LVPS/HVPS 110V
13	–	Input Guide



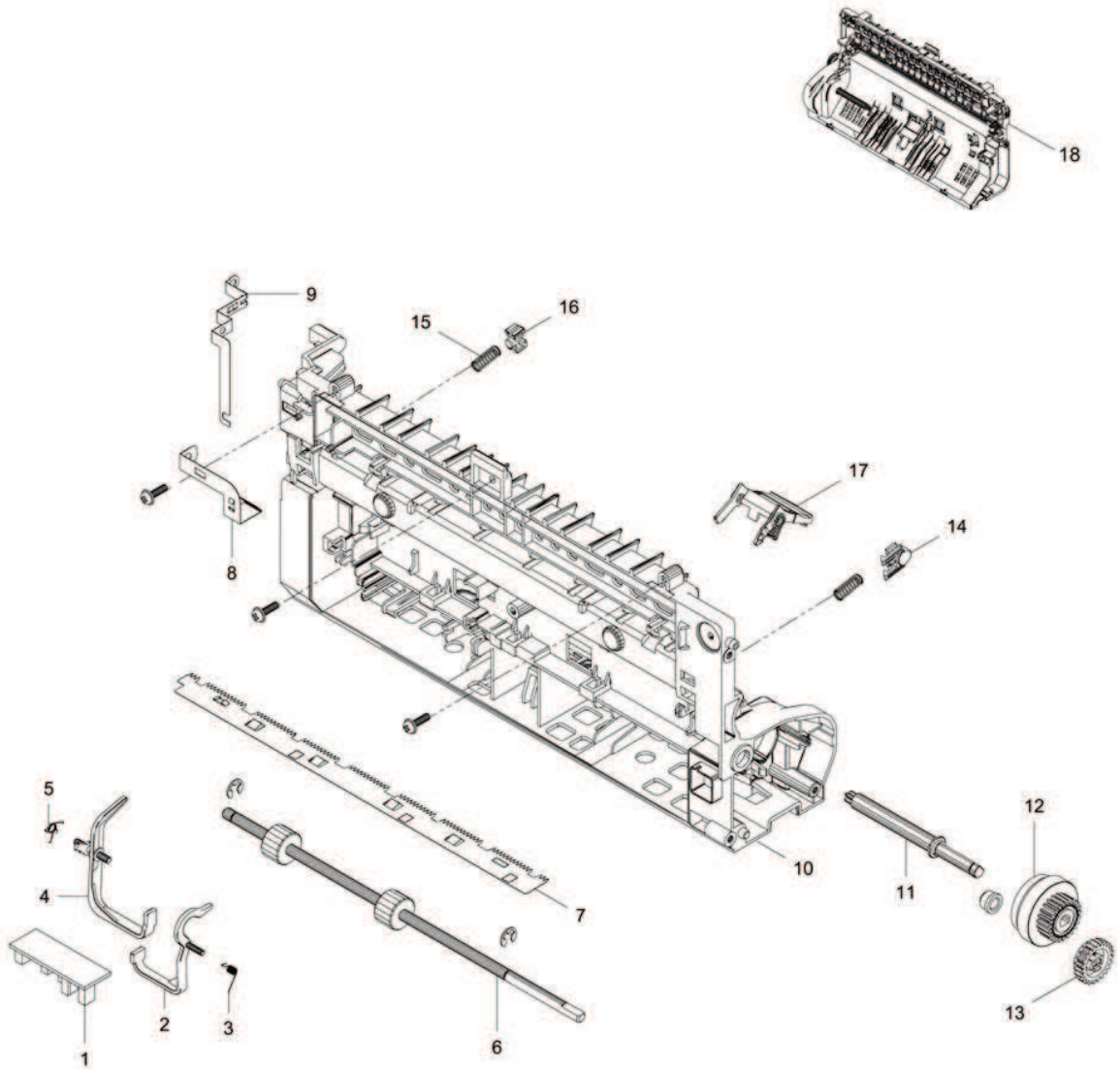
PL 3.2 Fuser

Item	Part	Description
1	—	Exit Cover
2	—	Tap Screw
3	—	Exit Drive Gear
4	—	Exit Gear
5	—	Exit Shaft Bushing
6	—	Spring
7	—	Upper Fuser
8	—	Fuser Exit Roller Assembly
9	—	Lower Fuser
10	—	Fuser Cover
11	126N00432	Fuser Module Assembly 110V
—	126N00433	Fuser Module Assembly 220V
12	—	Exit Shaft
13	—	Rubber Rolls
14	—	Exit Roller
15	—	Holder
16	—	Exit Roller
17	—	Spring
18	—	Bracket
19	—	Bushing
20	—	Pressure Roll
21	—	Bracket
22	—	Frame
23	—	Fuser Gear Stopper
24	—	Jam Lever
25	—	Lamp Cover
26	—	Fuser Gear
27	—	Heat Roll
28	—	Guide
29	—	Spring
30	—	Thermostat
31	—	Thermistor
32	—	Fuser Cover
33	—	Bushing
34	—	Fuser Lamp
35	—	Jam Lever
36	—	Right Lamp Cover



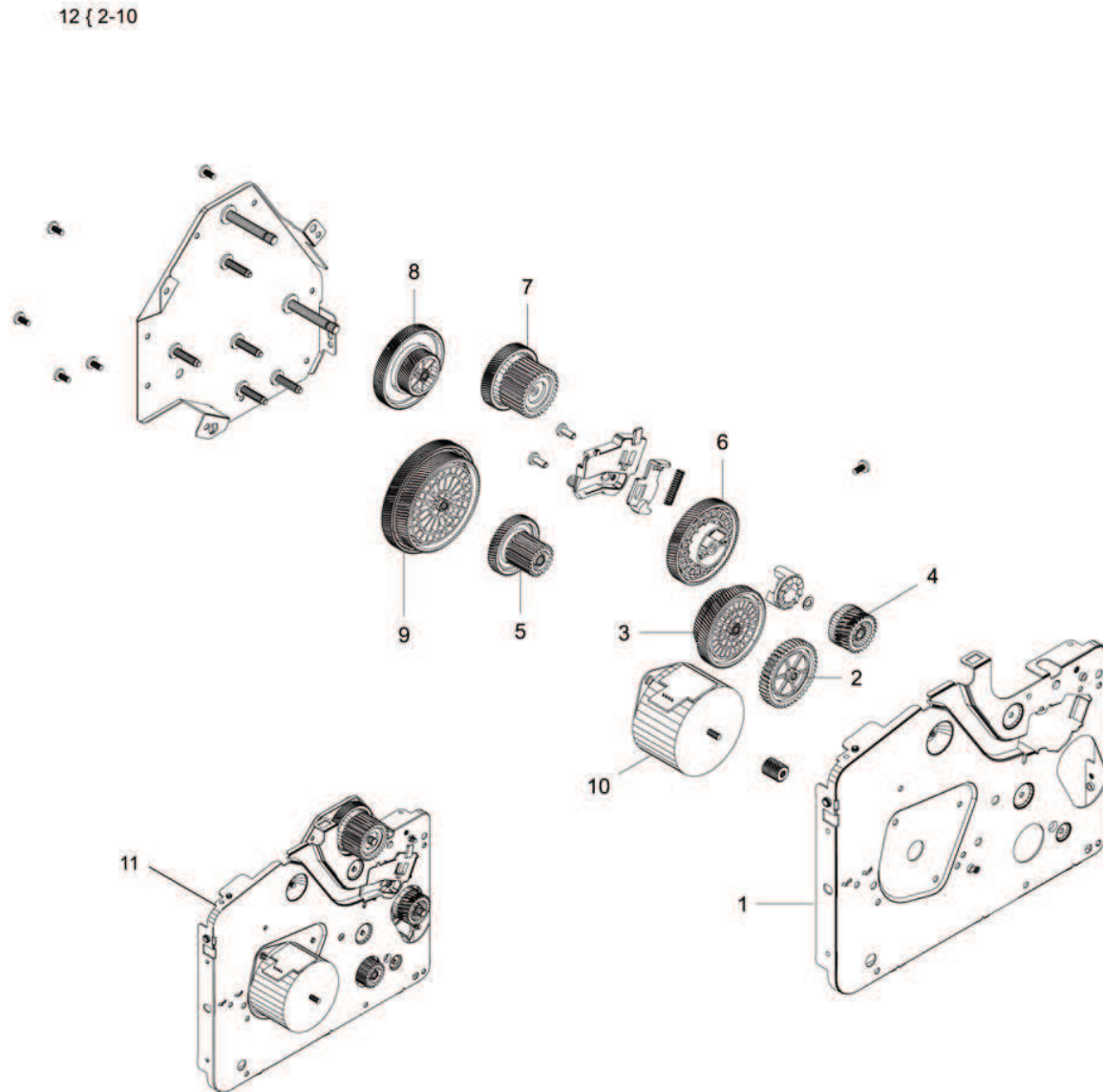
PL 3.3 Paper Path Frame

Item	Part	Description
1	130N01759	Paper Feed Sensor PWB
2	120N00546	Feed Sensor Actuator
3	—	Spring
4	120N00547	Width Sensor Actuator
5	—	Spring
6	022N02798	Paper Drive Roll
7	—	Plate
8	—	Ground
9	—	Ground Clip
10	—	Paper Path Guide
11	—	Feed Roll Shaft
12	121N01246	Feed Clutch
13	007N01801	Feed Gear
14	—	Bushing
15	—	Spring
16	—	Bushing
17	001N00547	Retard Pad
18	—	Path Frame



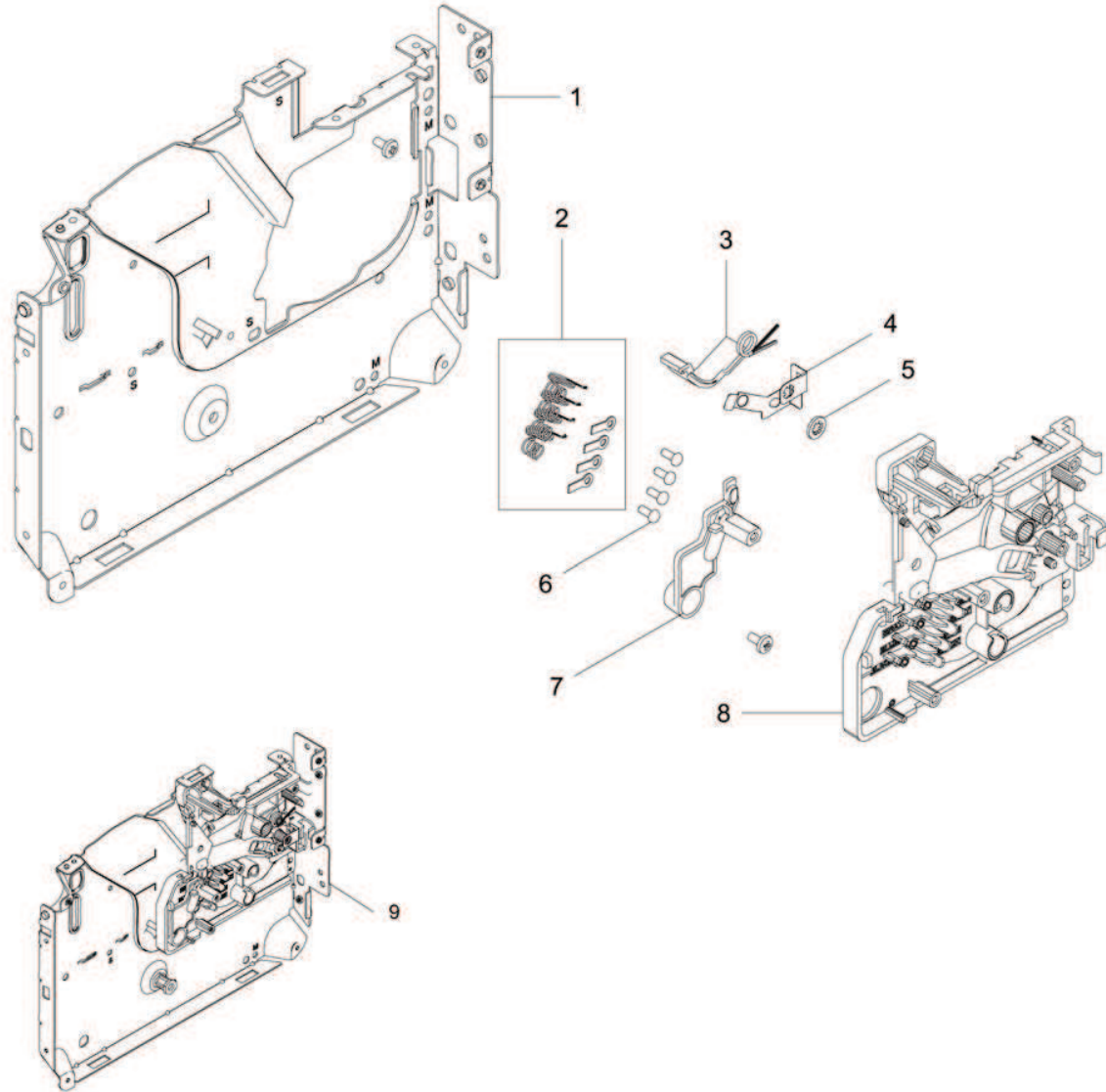
PL 3.4 Main Left Frame

Item	Part	Description
1	–	Left Frame
2	–	Feed Drive Gear
3	–	RDCN OPC Gear
4	–	Out Drive Gear
5	–	RDCN Drive Gear
6	–	Drive In Gear
7	–	Fuser Drive Gear
8	–	RDCN Fuser Gear
9	–	RDCN A Gear
10	–	Drive Motor
11	001N00548	Left Main Frame Assembly



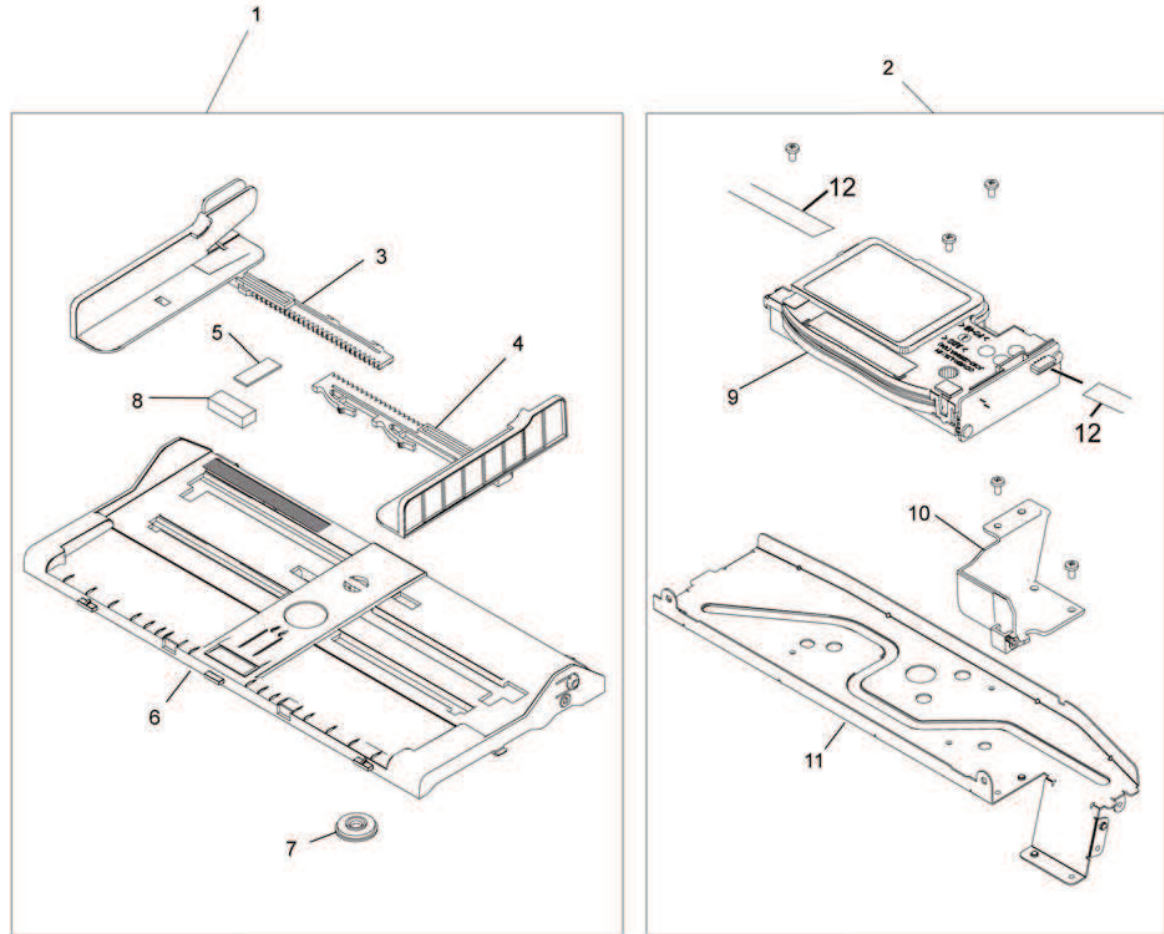
PL 3.5 Main Frame Right

Item	Part	Description
1	—	Right Frame
2	—	CRUM Contact
3	—	Spring
4	—	Ground Clip
5	—	Washer
6	—	Tap Screw
7	—	CRUM Cover
8	—	Right Print Cartridge Guide
9	—	Right Main Frame (Items 1 - 8)



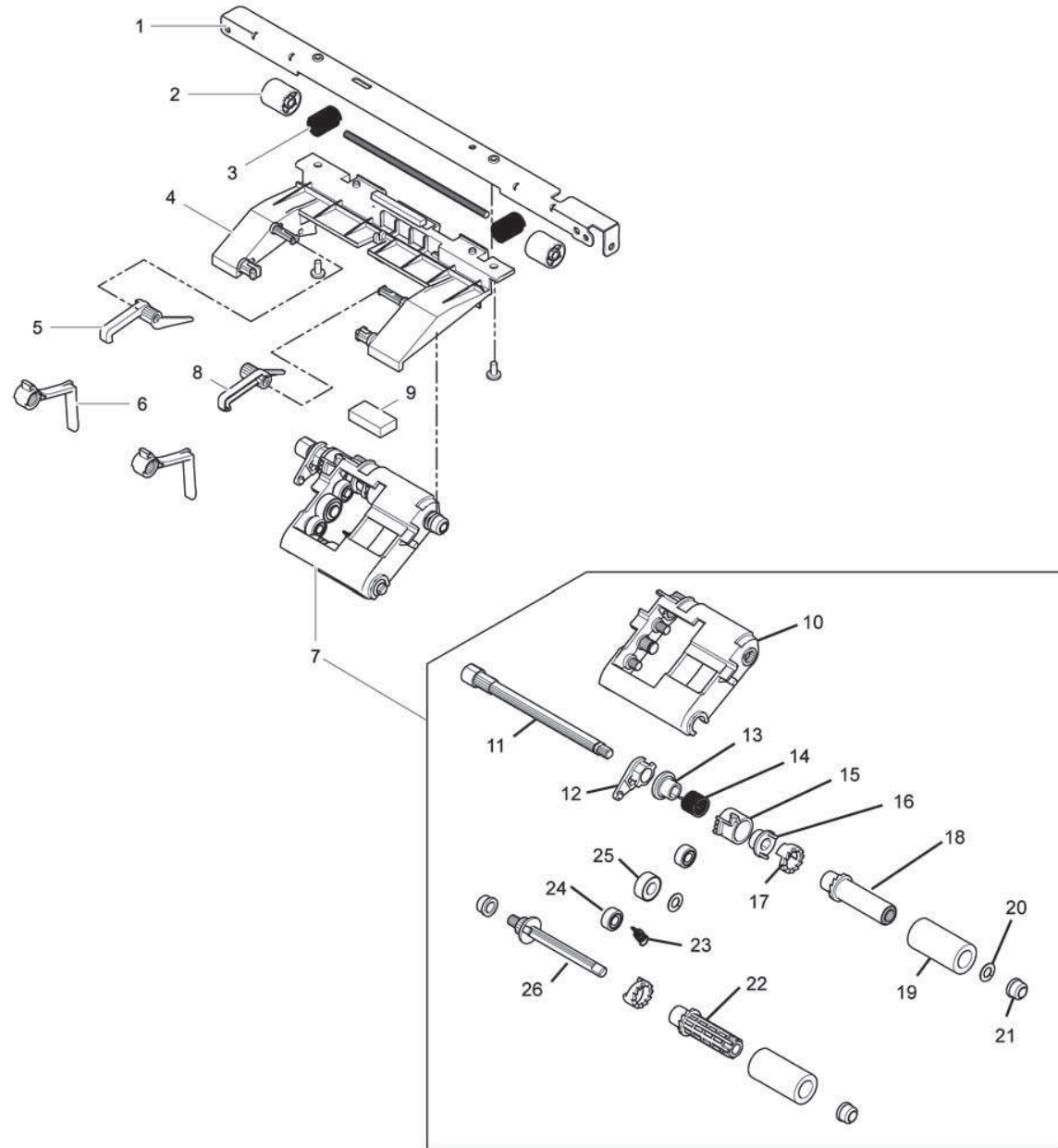
PL 3.6 Paper Tray And LSU Frame

Item	Part	Description
1	001N00549	Paper Tray
2	-	LSU Frame
3	-	Right Guide
4	-	Left Guide
5	-	Rubber Friction Pad
6	-	Bottom Plate
7	-	Pinion Gear
8	-	Sponge Damper
9	062N00293	LSU
10	-	Motor Cover
11	-	LSU Frame
12	117N01970	LSU Flat Cable



PL 3.7 Paper Feed Assembly

Item	Part	Description
1	—	Paper Feed Holder
2	—	Feed Roller
3	—	Spring
4	—	Guide Plate
5	—	Latch
6	—	Paper Stopper
7	130N01757	Feed Rolls Assembly
8	—	Latch
9	—	Damper Sponge
10	—	Feed Rolls Housing
11	—	Feed Rolls Shaft
12	—	Shaft Holder
13	—	Bushing
14	—	Spring
15	—	Collar
16	—	Joint Gear
17	—	Pick Up Clutch
18	—	Bushing
19	—	Pick Up Roller
20	—	Plain Washer
21	—	Bushing
22	—	Sleeve
23	—	Spring
24	—	Pick Up Gear
25	—	Feed Gear
26	—	Drive shaft Roller



Part Number Index

Table 1 Part Number Index

Part Number	Part List
001N00547	PL 3.3
001N00548	PL 3.4
001N00549	PL 3.6
002N03159	PL 2.1
002N03160	PL 2.1
002N03161	PL 1.1
002N03162	PL 1.1
002N03165	PL 1.1
002N03166	PL 1.1
002N03170	PL 1.1
002N03171	PL 1.1
002N03178	PL 1.1
002N03179	PL 1.1
002N03183	PL 1.1
002N03184	PL 1.1
007N01801	PL 3.3
022N02794	PL 3.1
022N02798	PL 3.3
062N00293	PL 3.6
105N02302	PL 3.1
105N02303	PL 3.1
117N01970	PL 3.6
120N00546	PL 3.3
120N00547	PL 3.3
121N01246	PL 3.3
126N00432	PL 3.2
126N00433	PL 3.2
130N01757	PL 3.7
130N01759	PL 3.3
140N63719	PL 1.1
140N63720	PL 1.1
140N63721	PL 1.1
140N63725	PL 2.1
140N63727	PL 1.1

